

**BUNK
BED**
WITH NO SCREWS



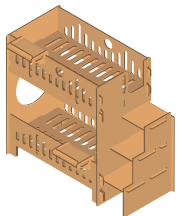
Instruction Manual

www.freebunkbed.org

WARNING

TO HELP PREVENT SERIOUS OR FATAL INJURIES FROM ENTRAPMENT OR FALLS:

- Follow the information on the warnings appearing on the upper bunk end structure and on the carton. Do not remove warning label from bed.
- Use **crib mattresses** that are 52 inches long and 28 inches wide, and are no thicker than 7 inches.
- Surface of mattress must be at least 5 inches (127 mm) below the upper edge of guardrails.
- Always use the recommended size mattresses or mattress supports, or both, to help prevent the likelihood of entrapment or falls.
- The use of water or sleep flotation mattresses is prohibited.
- Always use guardrails on both long sides of the upper bunk. If the bunk bed will be placed next to the wall, the guardrail that runs the full length of the bed should be placed against the wall to prevent entrapment between the bed and wall. For extra security, bed should be fastened to the wall using screws to prevent tipping.
- It is prohibited for more than 1 person to be on upper bunk.
- Do not allow children under 6 years of age to use the upper bunk.
- Do not allow horseplay on or under the bed and prohibit jumping on the bed.
- Always use the ladder for entering and leaving the upper bunk.
- Periodically check and ensure that the guardrail, ladder, and other components are in their proper position, free from damage, and that all connectors are tight.
- Do not use substitute parts. Contact the manufacturer or dealer for replacement parts.
- Use of a night light may provide added safety precaution for a child using the upper bunk; see the [Store](#) section for light kits.
- **STRANGULATION HAZARD**—Never attach or hang items to any part of the bunk bed that are not designed for use with the bed; for example, but not limited to, hooks, belts and jump ropes.
- Keep these instructions for future reference.



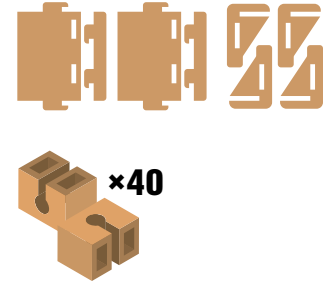
 Visit www.freebunkbed.org for latest version of the manual and the bed.

Created by Yuriy Sklyar: www.yuriysklyar.com
Free for personal, non-commercial use. Use at your own risk.
Manual release date: 5/20/2019. Manual version: 1.2
Manual may change without notice.

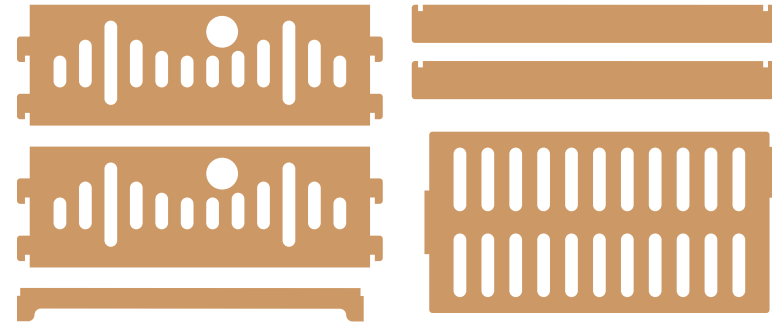
STAIRS



NIGHT TABLES



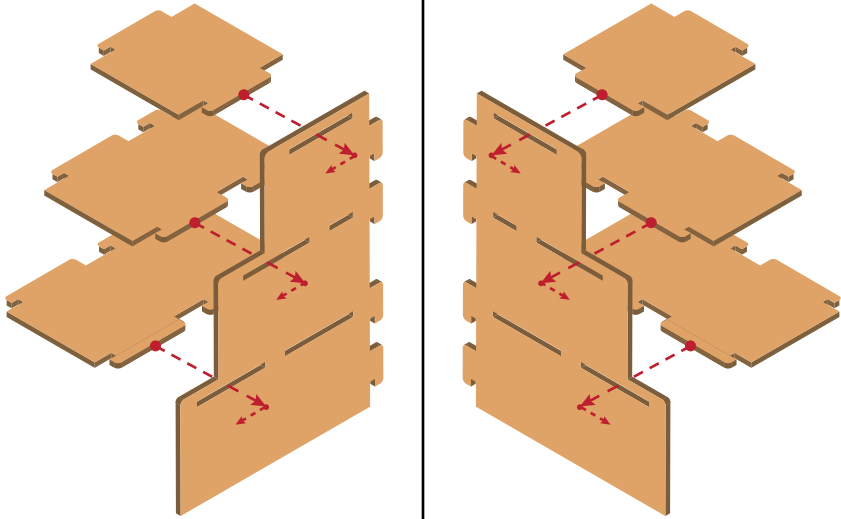
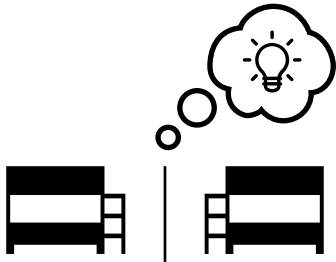
UPPER BUNK



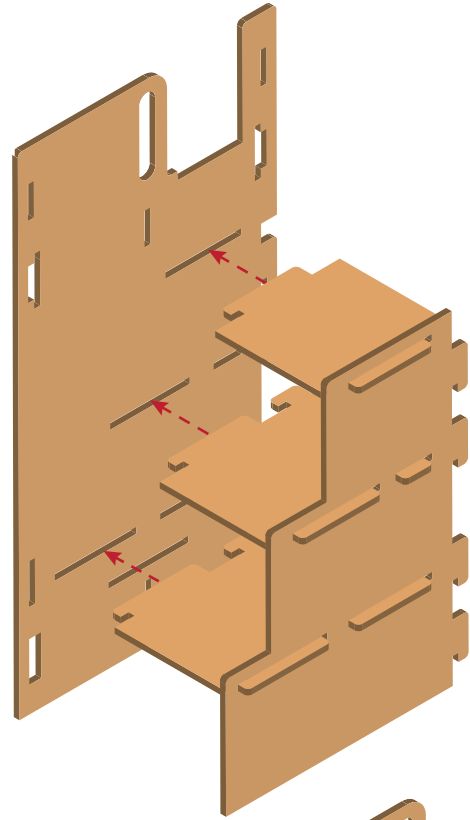
BOTTOM BUNK



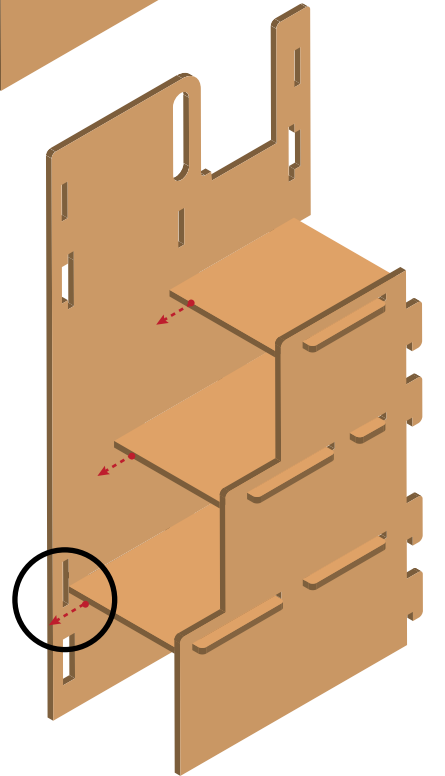
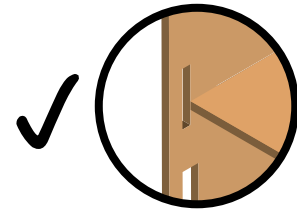
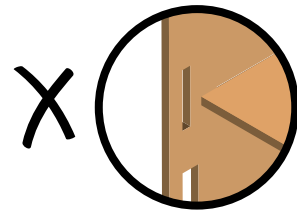
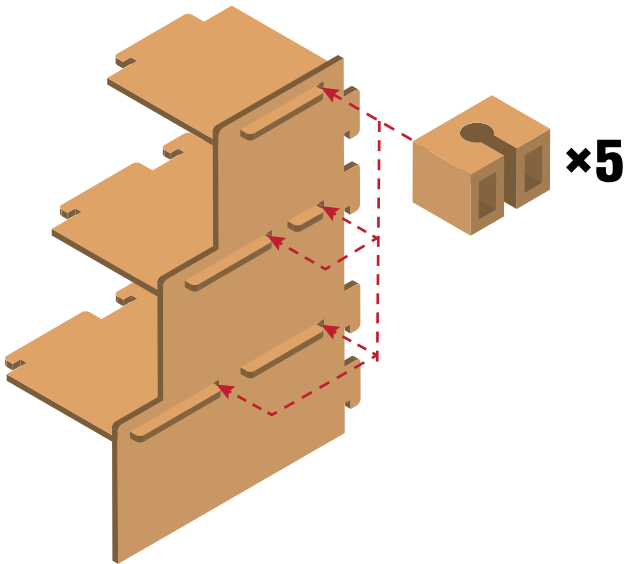
1



3

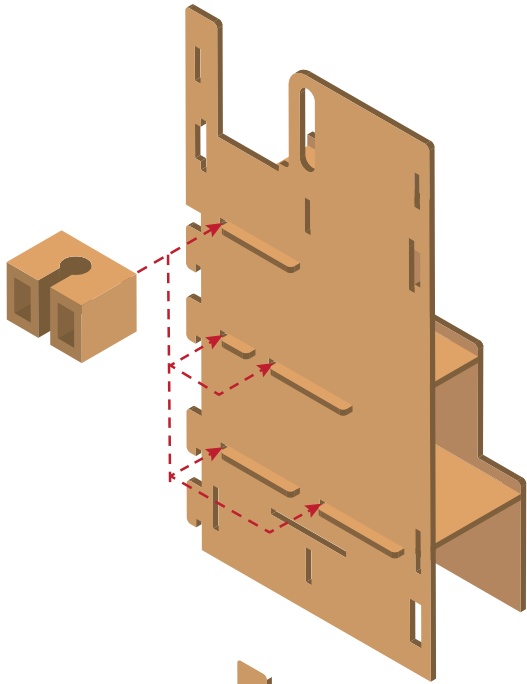


2

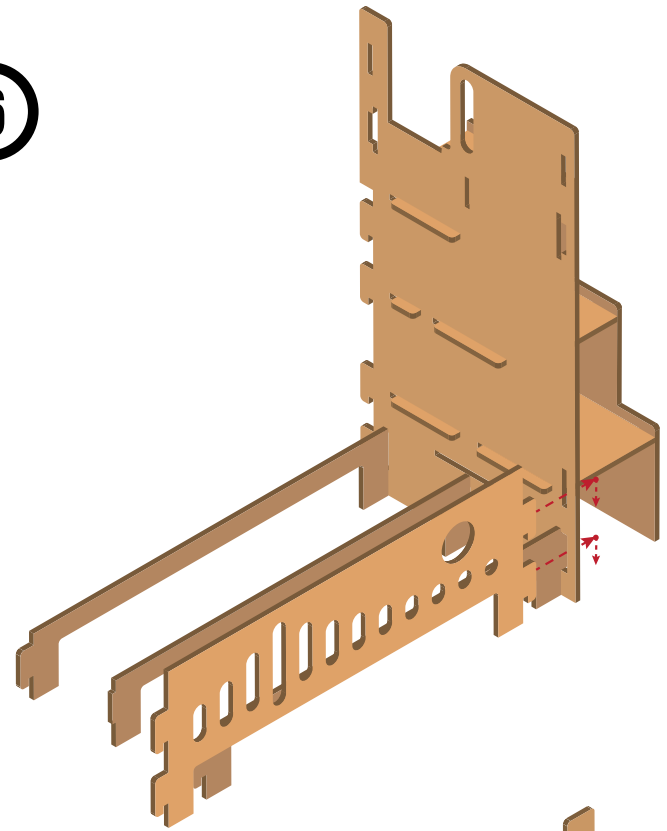


④

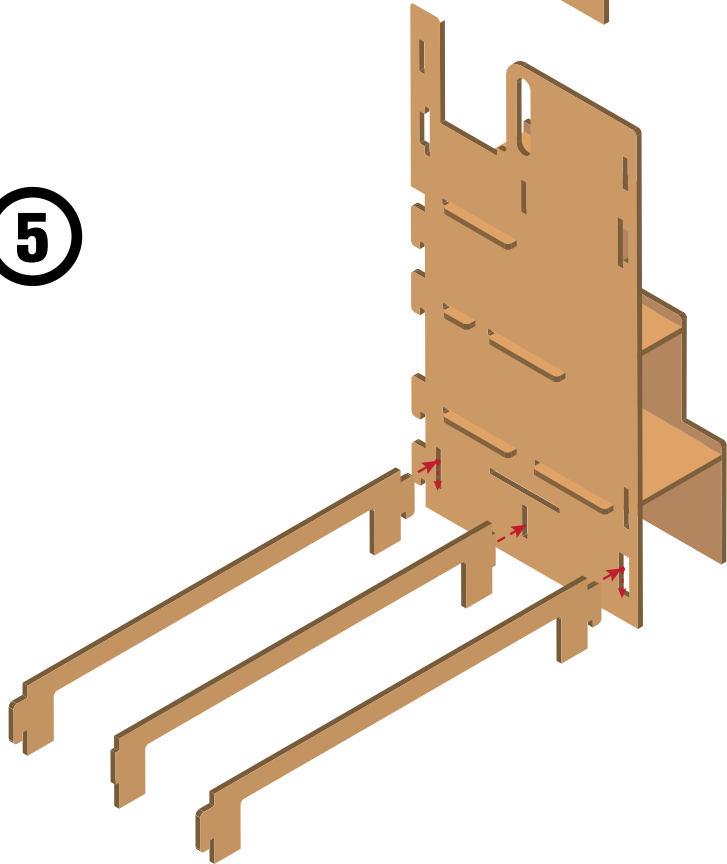
×5



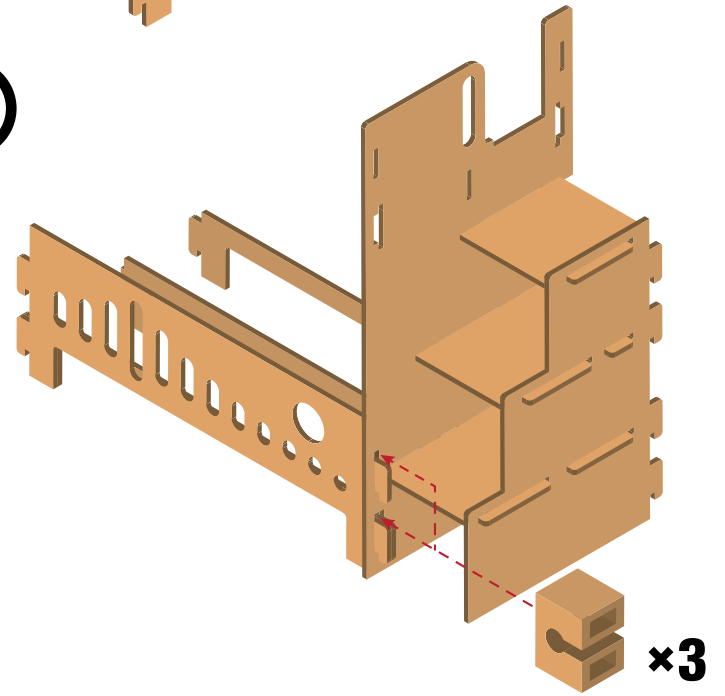
⑥



⑤



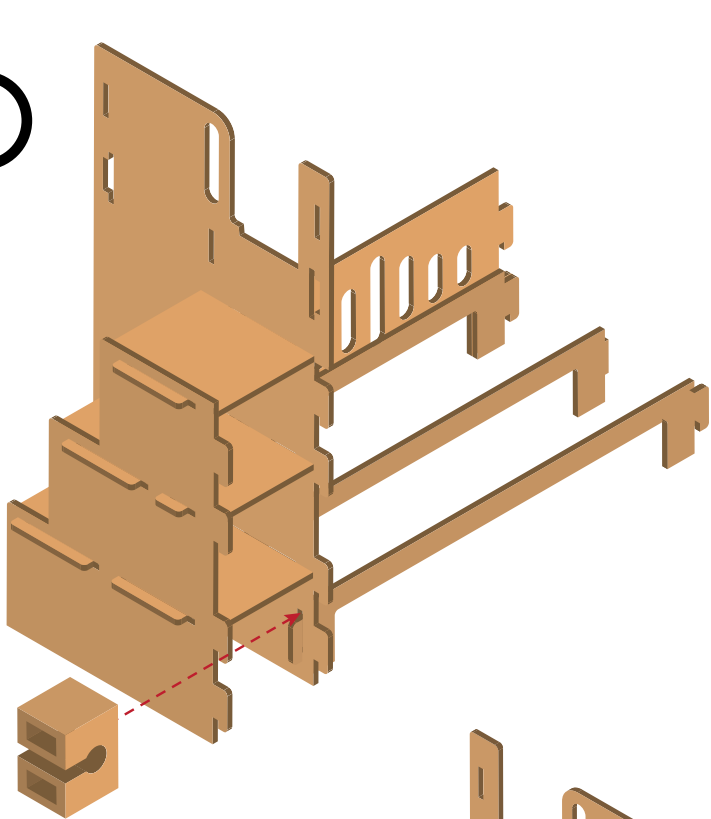
⑦



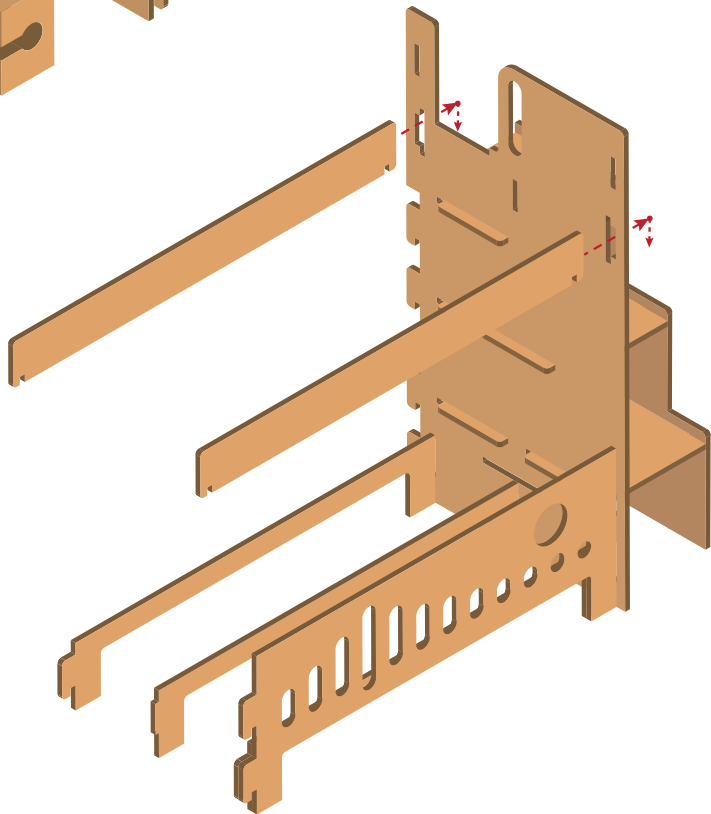
×3

8

×1

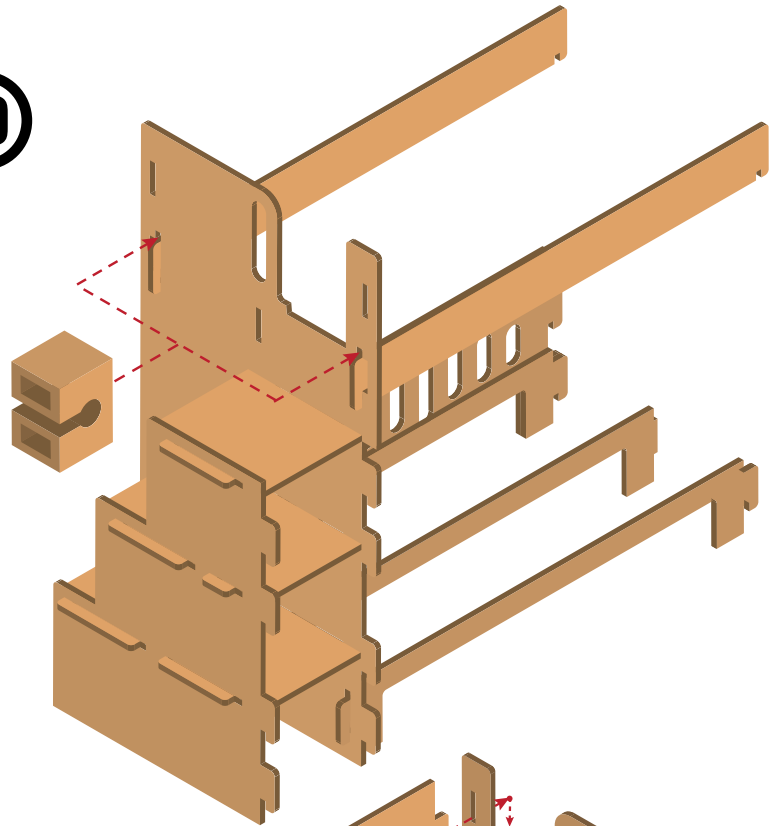


9

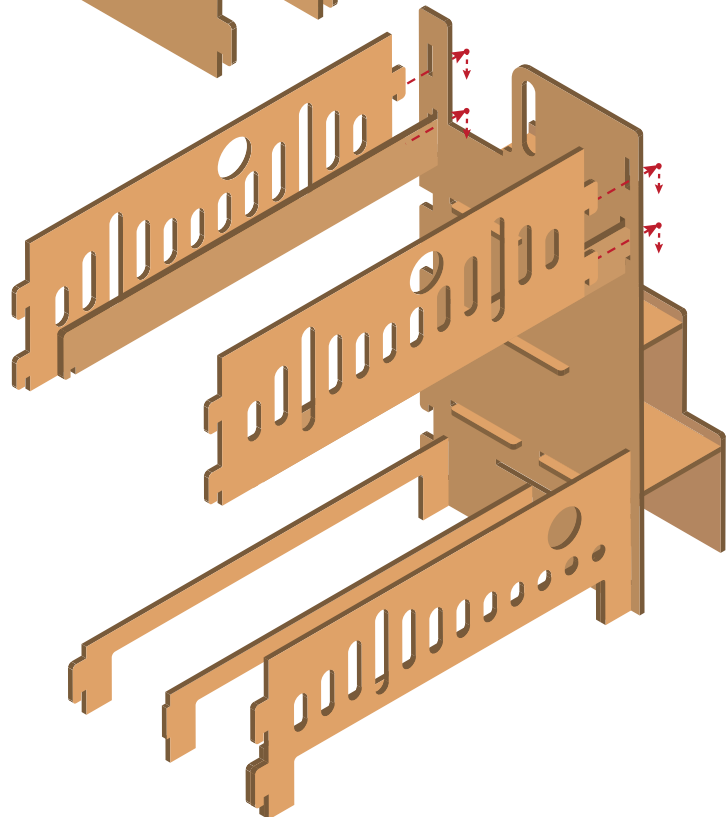


10

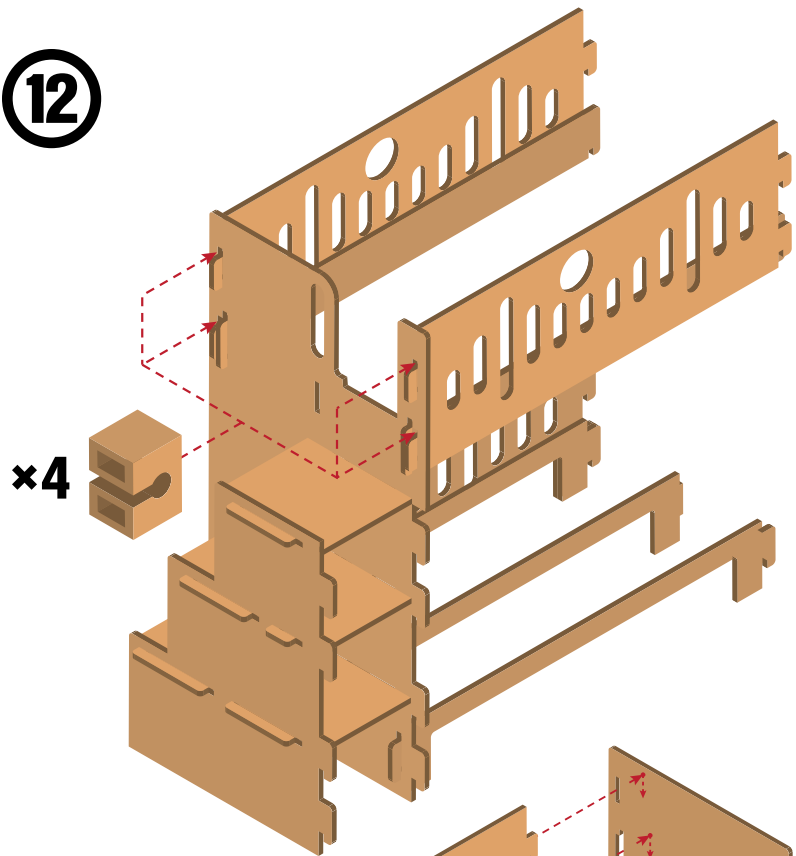
×2



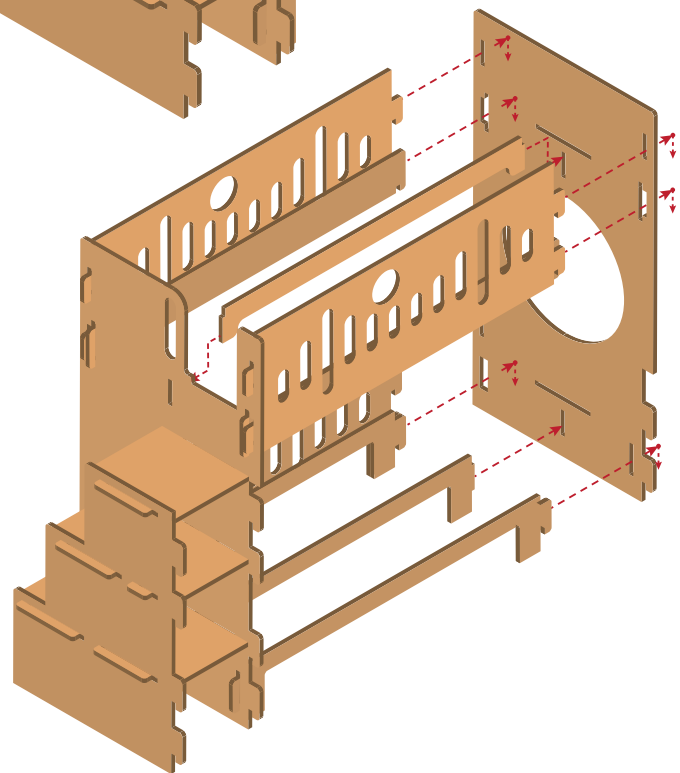
11



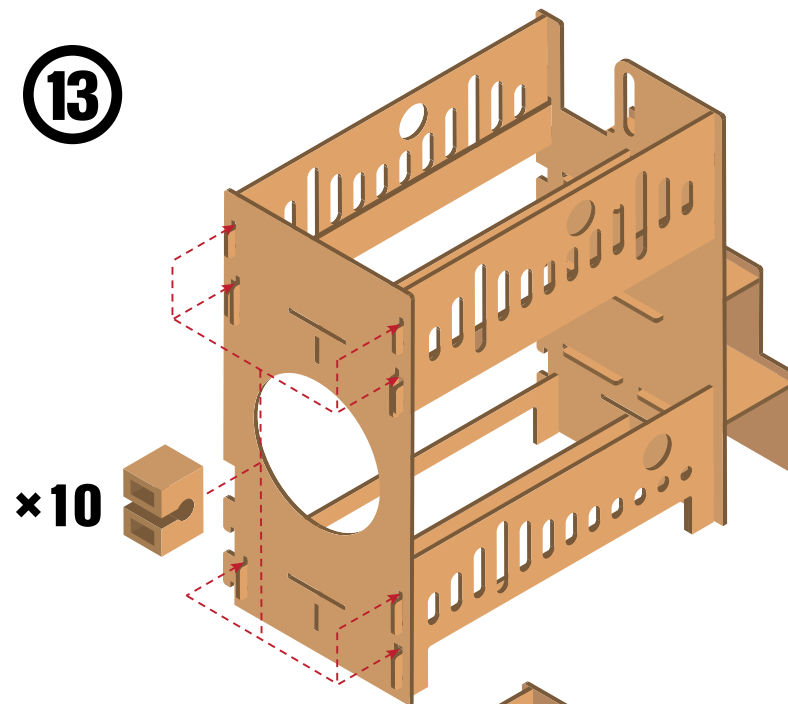
12



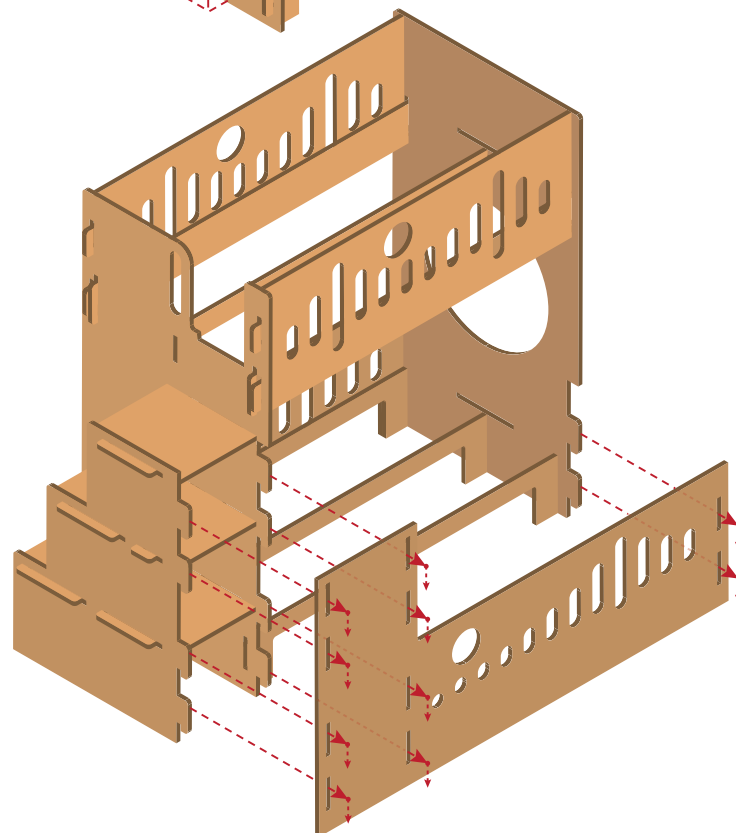
11



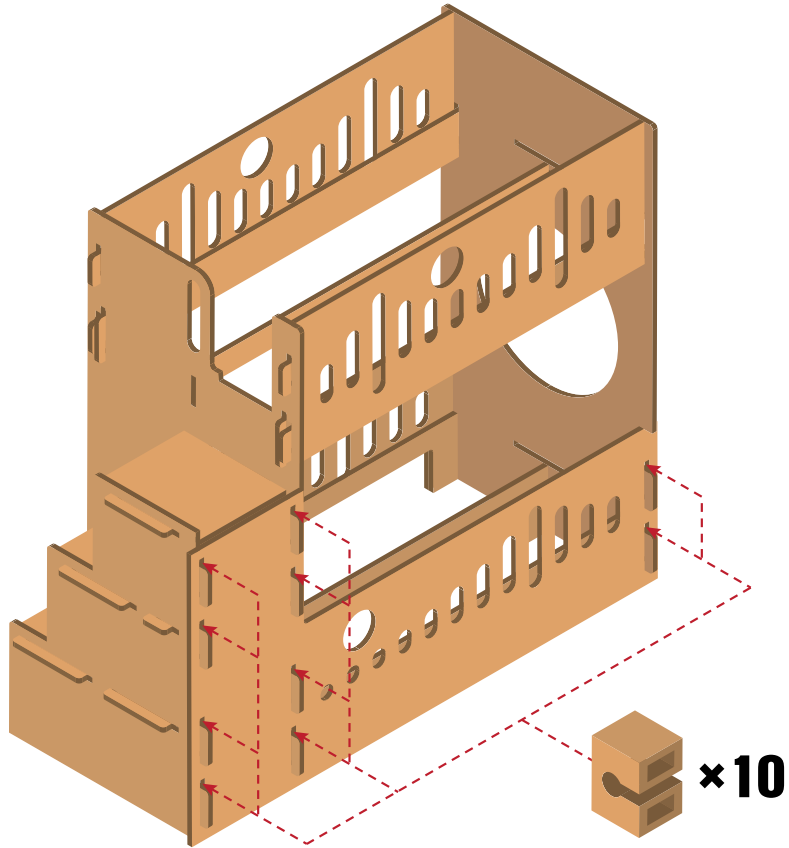
13



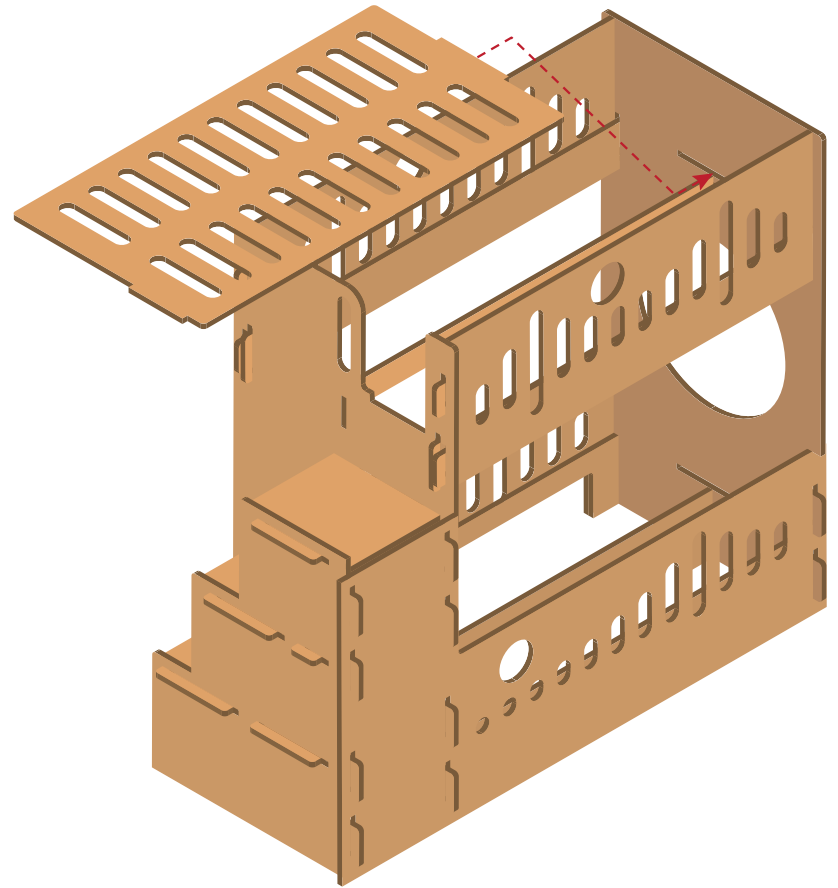
14



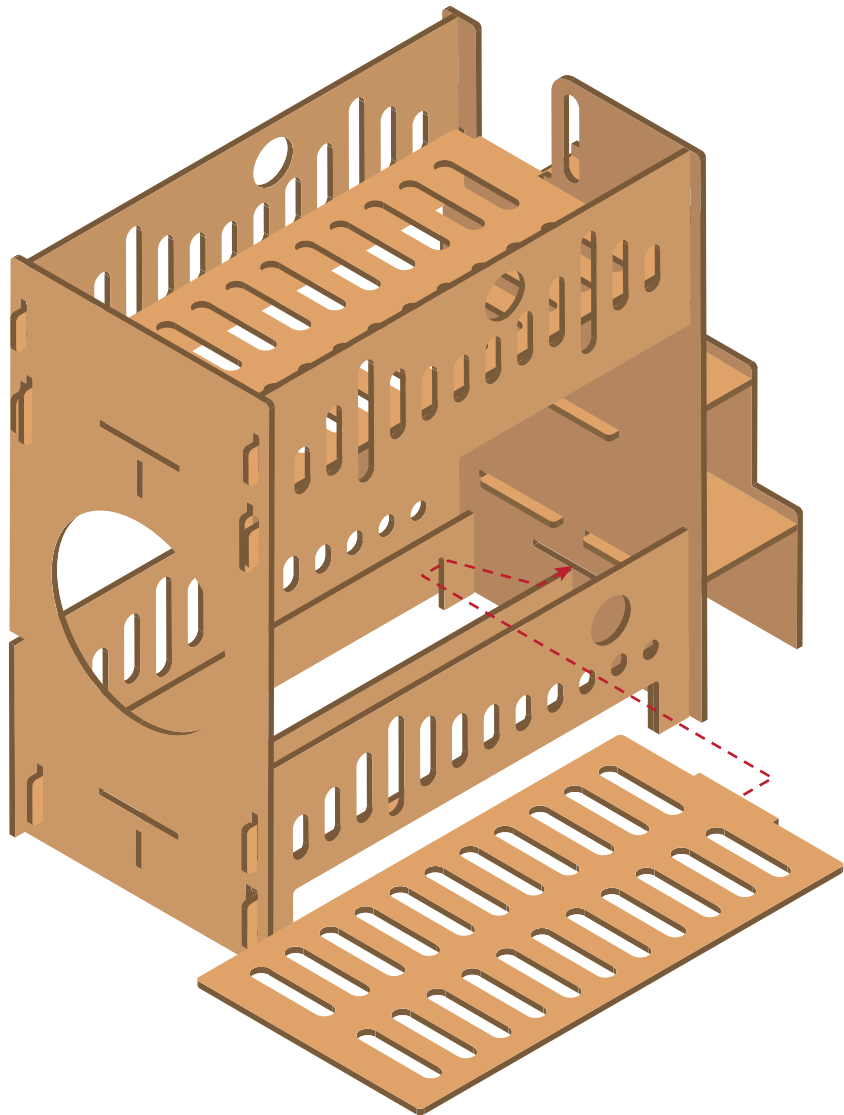
15



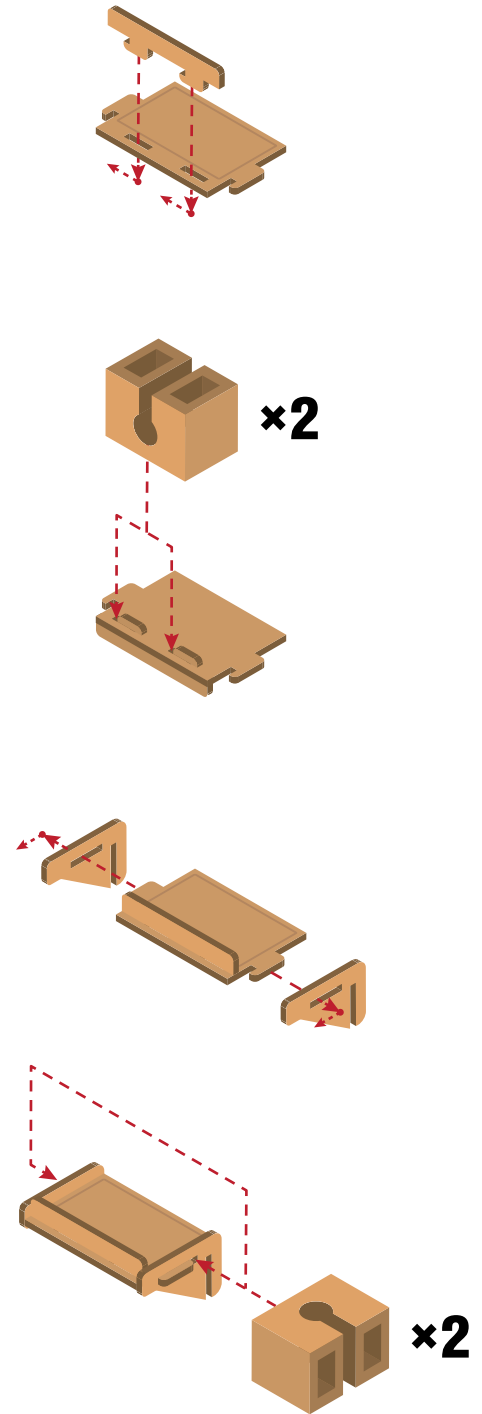
16



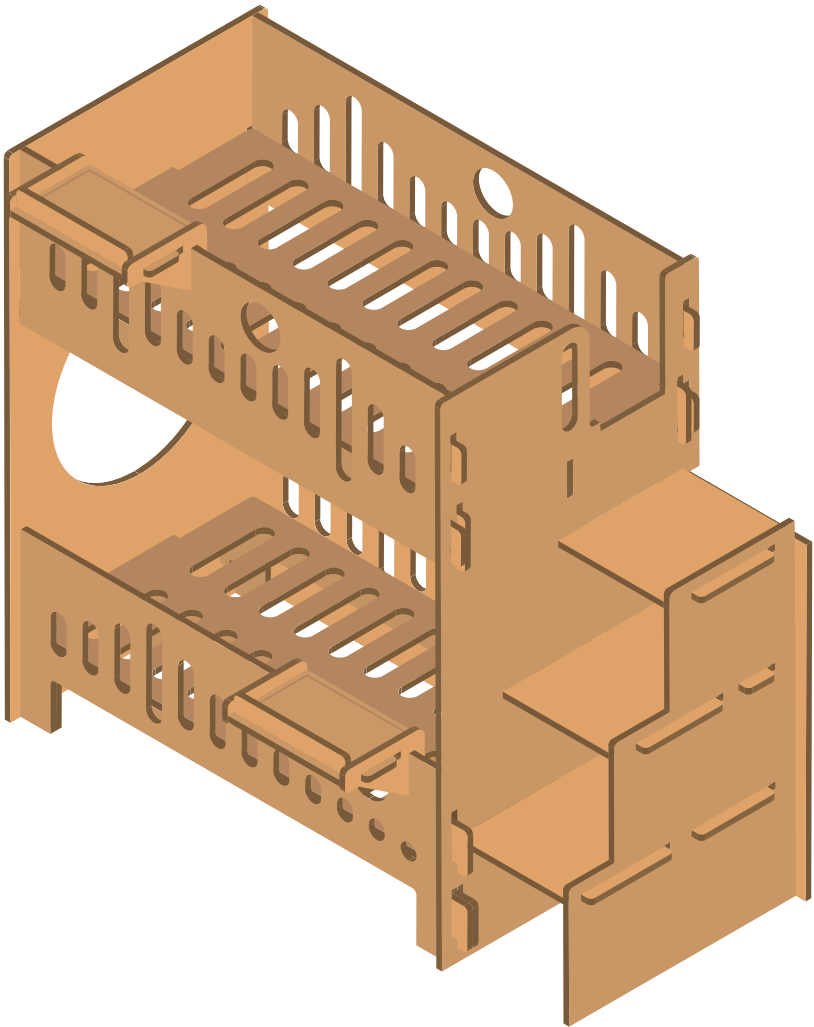
17



18 x2



19



enjoy! :)